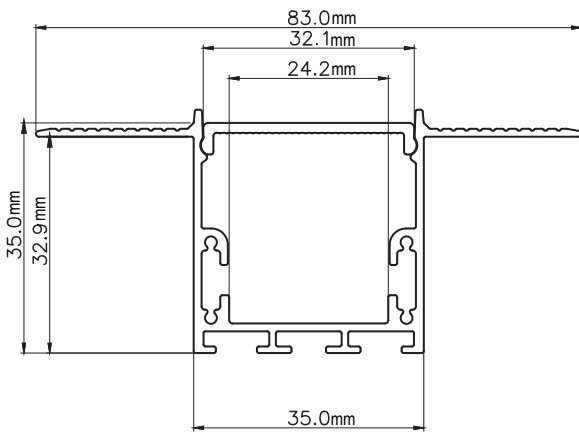


The LMP-6 profile is ideal for many plasterboard applications. It creates a continuous light effect through internal and external corners and angles. This recessed profile is ideal for perfecting flush installations with greater ease. It comes with a range of pre-made linear extensions and modular connectors making it great for achieving the seamless effect.



MODULAR ALUMINIUM PROFILES SPECIFICATION

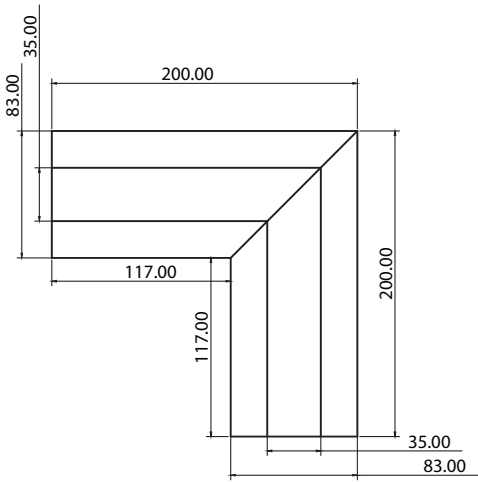
Code	Description	Dimensions
LMP-6/1M	Modular plasterboard mounted aluminium profile SET	1m
LMP-6/2M	Modular plasterboard mounted aluminium profile SET	2m
LMP-6/L90	90° Corner connector SET	20 X 20cm
LMP-6/L90INT	90° Internal corner connector SET	20 X 20cm
LMP-6/L90EXT	90° External corner connector SET	20 X 20cm
LMP-6/L135	135° Angle connector SET	20 X 20cm
Construction	anodised aluminium 6063	40 X 20cm
IP rating	IP20	135° Angle connector SET

* available upon request, subject to MOQ
All sets include diffusers.

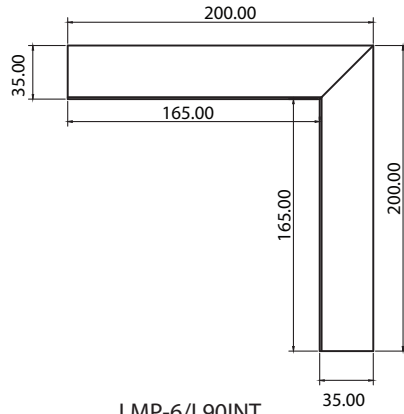
ACCESSORIES

Code	Item
LM-RAIL	Rail connector for LMS-5, LMS-5i, LMS-6i, LMP-6 & LMP-6e
LMP-6/ENDCAPS	2 pcs of end caps for LMP-6 and LMP-6e

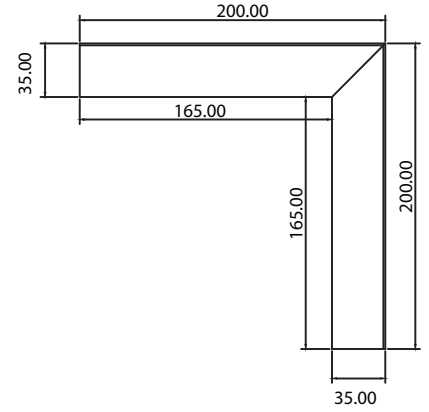
Please note that with the continuous rapid development in lighting technology, specification values may change. Contact our technical department for details. We reserve the right to amend or change details without prior notification. All performance data is taken at an ambient temperature of +25°C. Lumens and connected system load are subject to an initial tolerance of up to +/- 10%.



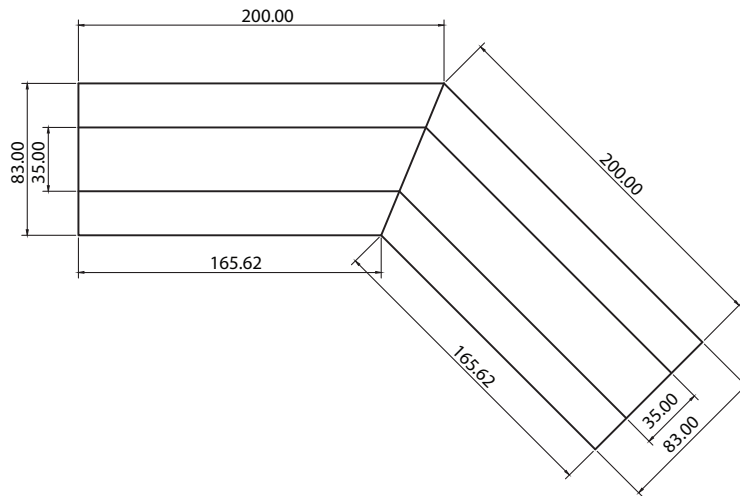
LMP-6/L90



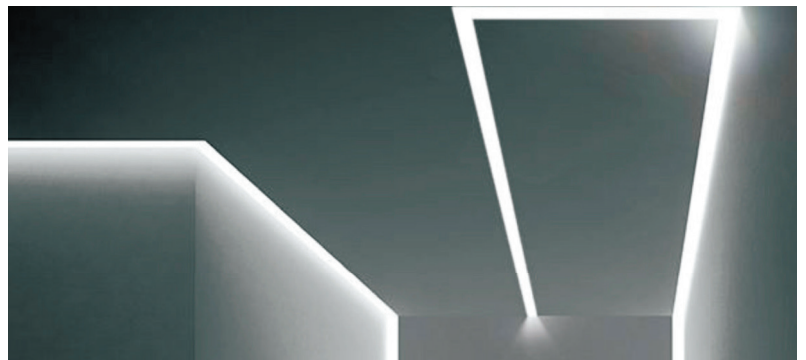
LMP-6/L90INT



LMP-6/L90EXT



LMP-6/L135



* dimensions are in mm